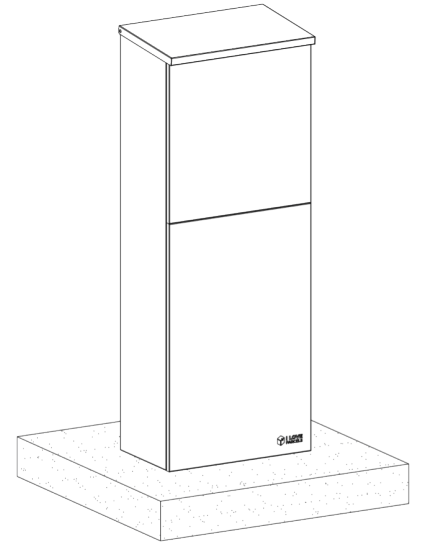


Oslo Parcel Box

3023RE

Tools required

Hammer drill
10mm masonry drill bit
Sprit Level

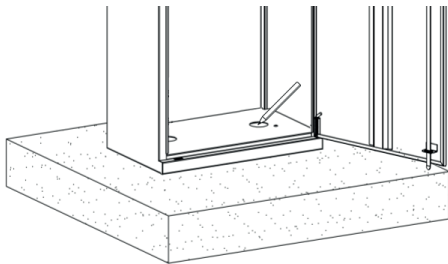


Choosing a suitable location

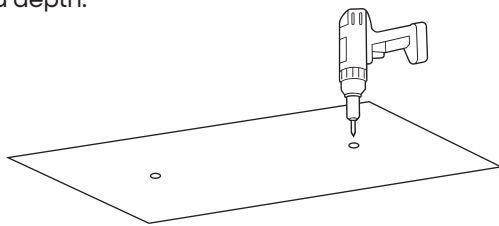
Always install the Parcel Box where it is easily accessible.

Installation onto an existing concrete floor

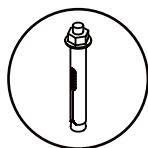
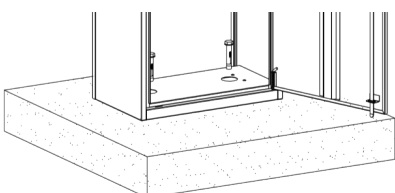
1. Set the Parcel Box in the desired location.
For ground fixing, open the bottom door and mark the hole locations.



2. Remove the Parcel Box, and drill holes in the marked places using the correct diameter drill bit and depth.

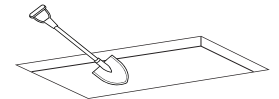


3. Re-position the Parcel Box and insert the bolts and washers so that it is tightly fixed to the ground, ensuring that it is securely in place.



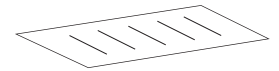
Installation onto ground

1. Dig a hole approximately 26cm x 41cm x 10cm deep.

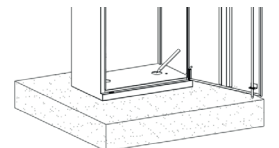


2. Fill hole with concrete.

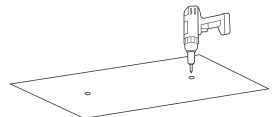
3. Use a spirit level to level the concrete and then leave it to fully dry.



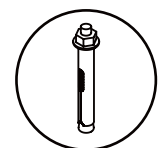
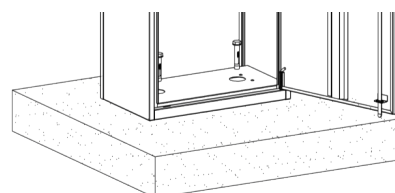
4. Place your letterbox onto the concrete slab and mark the mounting hole with a pencil.

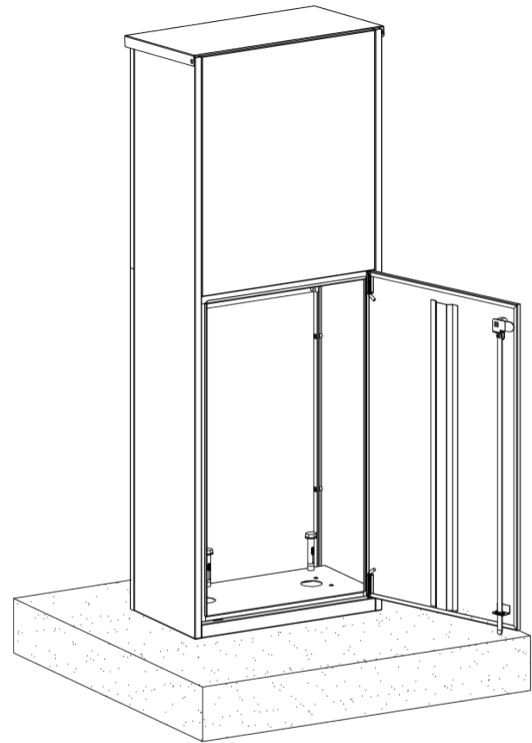
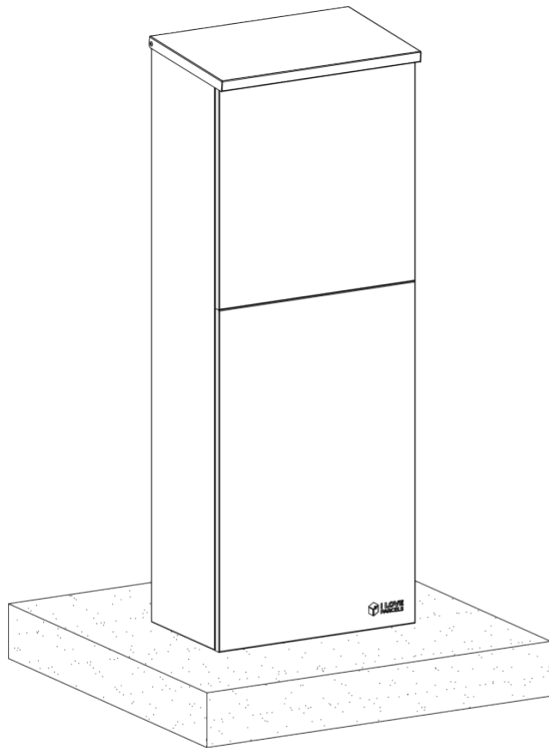


5. Drill a hole (10mm diameter x 70mm deep) into the concrete slab for the mounting bolt.



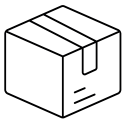
6. Re-position the Parcel Box and insert the bolts and washers so that it is tightly fixed to the ground, ensuring that it is securely in place.



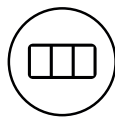


Using your Oslo

The Oslo parcel letterbox is designed to allow mail and parcel delivery.



The courier simply opens the top chute, places the parcels or post inside and closes the chute. The parcel will fall into the retrieval area at the bottom.



The owner uses the combination lock to retrieve their parcels and mail via the door.



Our special design stops anyone from reaching into the retrieval area when the chute is opened.